

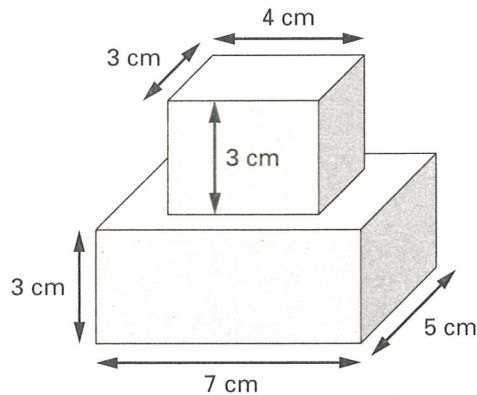
# 11.4

## Solve Problems Using Diagrams

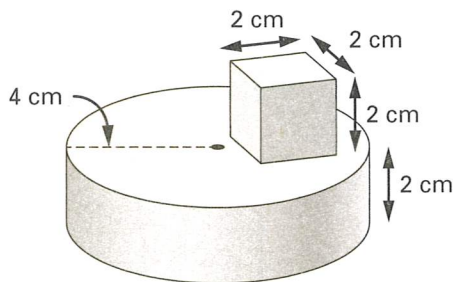
► **GOAL:** Use diagrams to solve measurement problems.

1. Find the volume of each figure.

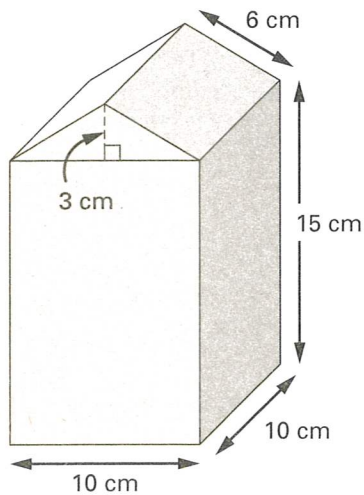
a)



b)



2. Calculate the surface area of the figure below.



### At-Home Help

When you are given a complex problem to solve, try breaking up the problem into smaller parts. For example, if you are asked to find the volume of a complex shape, start by dividing the shape into simpler parts. Sketch each part separately. Find the volume of each part, then add them together to find the total volume.