

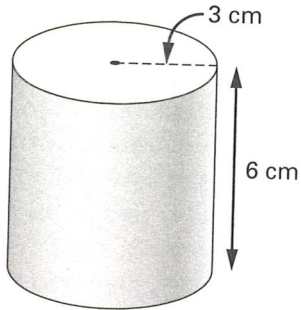
# 11.3

## Volume of a Cylinder

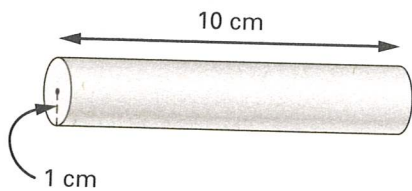
► **GOAL:** Develop and apply a formula for calculating the volume of a cylinder.

1. Estimate the volume of each cylinder.

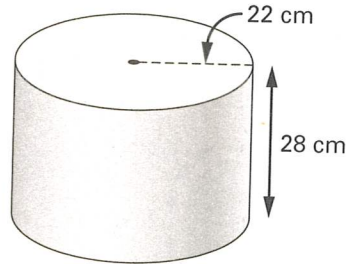
a)



b)

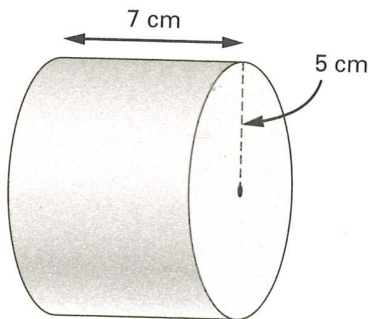


c)

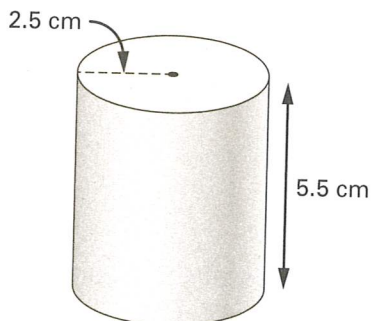


2. Calculate the volume of each cylinder.

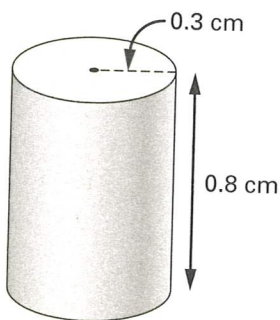
a)



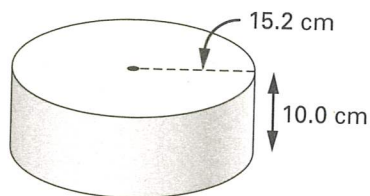
c)



b)



d)



3. A cylinder has a radius of 5.0 cm and a volume of  $1334.5 \text{ cm}^3$ . What is the height of the cylinder?

### At-Home Help

For a cylinder,

$$\text{Volume} = \pi r^2 \times \text{height}$$